

SOD-323 Plastic-Encapsulate Diodes

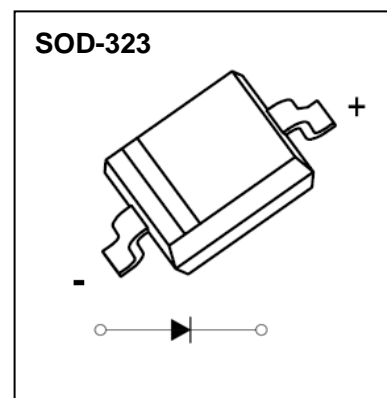
Schottky Rectifier

Features

- V_R 40V
- I_{FAV} 1A

Applications

- Low Voltage Rectification
- Low Power Consumption Applications
- High Efficiency DC/DC Conversion



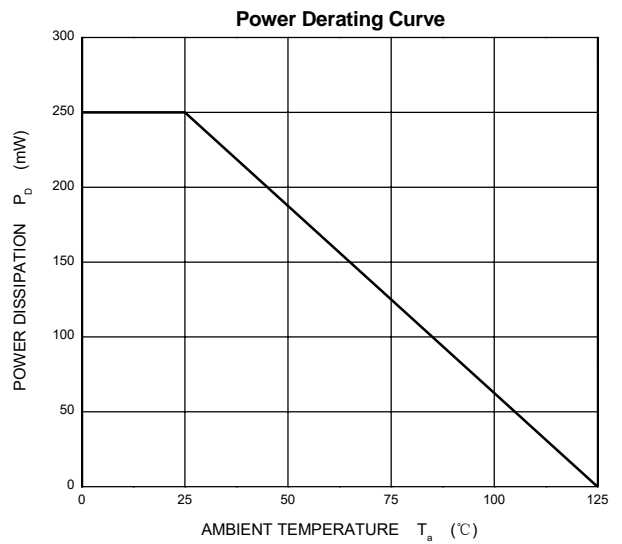
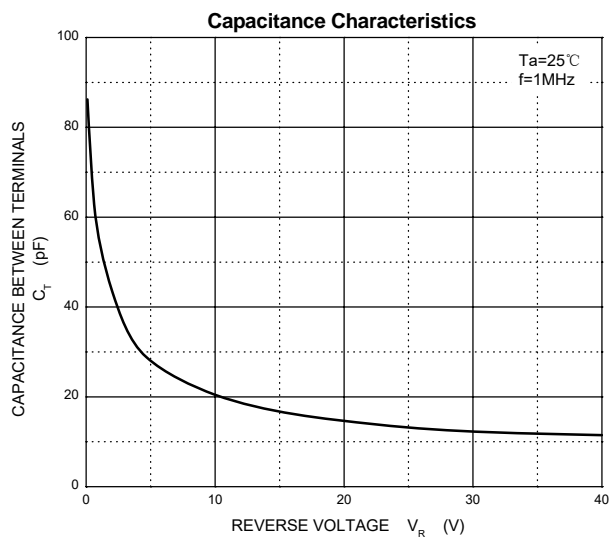
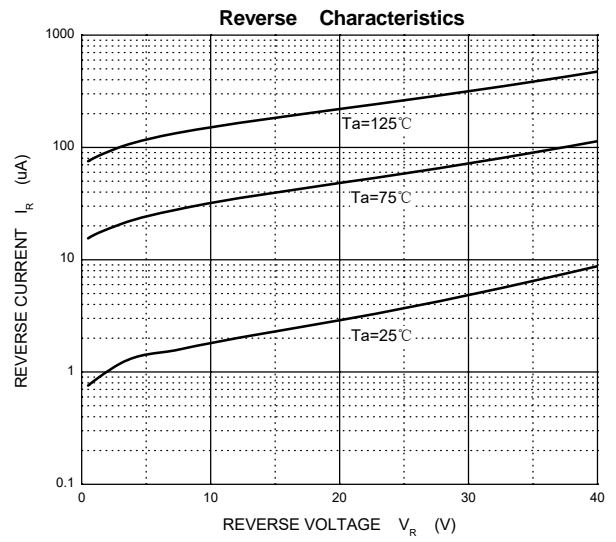
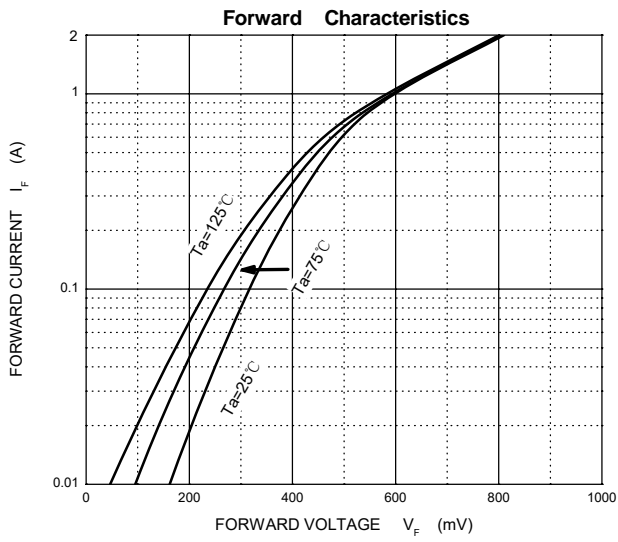
MAXIMUM RATINGS ($T_a=25^\circ\text{C}$ unless otherwise noted)

| Symbol | Parameter | Value | Unit |
|-----------------|--|------------|---------------------------|
| V_{RRM} | Peak Repetitive Reverse Voltage | 40 | V |
| V_{RWM} | Working Peak Reverse Voltage | | |
| $V_{R(RMS)}$ | RMS Reverse Voltage | 28 | V |
| I_O | Average Rectified Output Current | 1 | A |
| I_{FSM} | Non-repetitive Peak Forward Surge Current @ $t=8.3\text{ms}$ | 5 | A |
| P_D | Power Dissipation | 250 | mW |
| $R_{\theta JA}$ | Thermal Resistance from Junction to Ambient | 400 | $^\circ\text{C}/\text{W}$ |
| T_j | Operation Junction Temperature Range | -55 ~ +125 | $^\circ\text{C}$ |
| T_{stg} | Storage Temperature Range | -55 ~ +150 | $^\circ\text{C}$ |

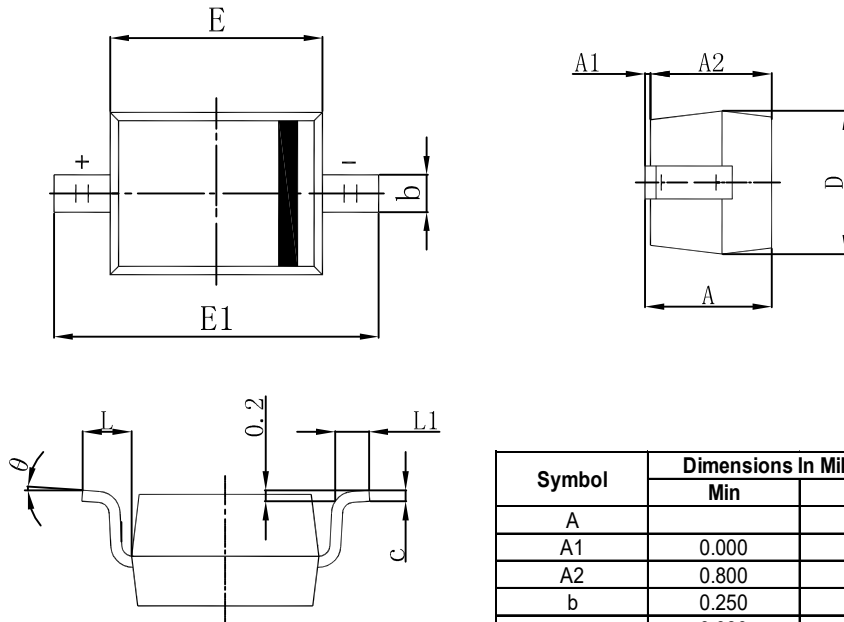
ELECTRICAL CHARACTERISTICS($T_a=25^\circ\text{C}$ unless otherwise specified)

| Parameter | Symbol | Test conditions | Min | Typ | Max | Unit |
|---------------------------|------------|---------------------------------|-----|-----|------|---------------|
| Reverse breakdown voltage | $V_{(BR)}$ | $I_R=1\text{mA}$ | 40 | | | V |
| Reverse current | I_R | $V_R=20\text{V}$ | | | 50 | μA |
| Forward voltage | V_F | $I_F=0.5\text{A}$ | | | 0.51 | V |
| | | $I_F=0.7\text{A}$ | | | 0.55 | |
| Total capacitance | C_{tot} | $V_R=10\text{V}, f=1\text{MHz}$ | | | 20 | pF |

Typical Characteristics

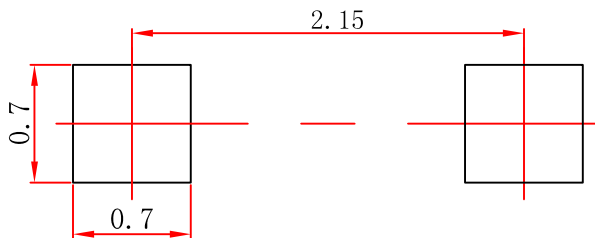


SOD-323 Package Outline Dimensions



| Symbol | Dimensions In Millimeters | | Dimensions In Inches | |
|--------|---------------------------|-------|----------------------|-------|
| | Min | Max | Min | Max |
| A | | 1.100 | | 0.043 |
| A1 | 0.000 | 0.100 | 0.000 | 0.004 |
| A2 | 0.800 | 1.000 | 0.031 | 0.039 |
| b | 0.250 | 0.350 | 0.010 | 0.014 |
| c | 0.080 | 0.150 | 0.003 | 0.006 |
| D | 1.200 | 1.400 | 0.047 | 0.055 |
| E | 1.600 | 1.800 | 0.063 | 0.071 |
| E1 | 2.500 | 2.750 | 0.098 | 0.108 |
| L | 0.475 REF | | 0.019 REF | |
| L1 | 0.250 | 0.400 | 0.010 | 0.016 |
| θ | 0° | 8° | 0° | 8° |

SOD-323 Suggested Pad Layout



Note:

1. Controlling dimension: in millimeters.
2. General tolerance: $\pm 0.05\text{mm}$.
3. The pad layout is for reference purposes only.

Ordering Information

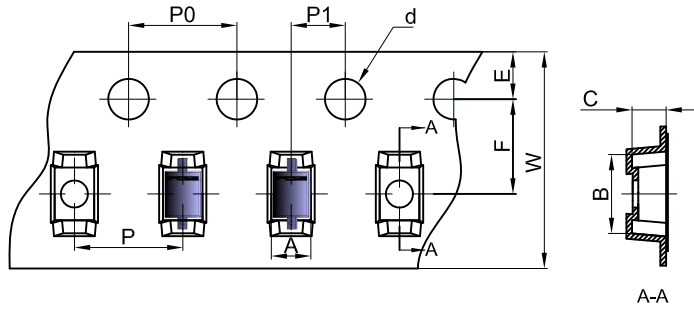
| Part Number | Package | Shipping Quantity |
|-------------|---------|-------------------|
| B1040WS | SOD-323 | 3000/tape&Reel |

Marking Diagram



Reel Taping Specifications For Surface Mount Devices-SOD-323

SOD-323 Embossed Carrier Tape

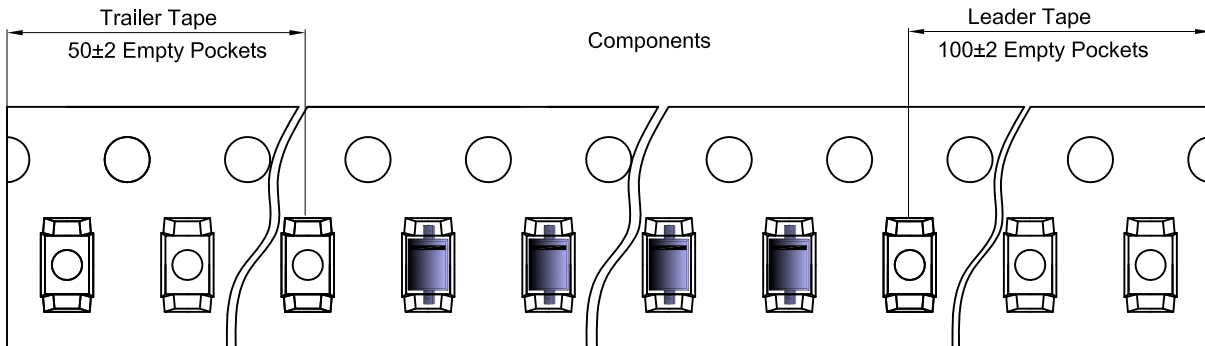


Packaging Description:

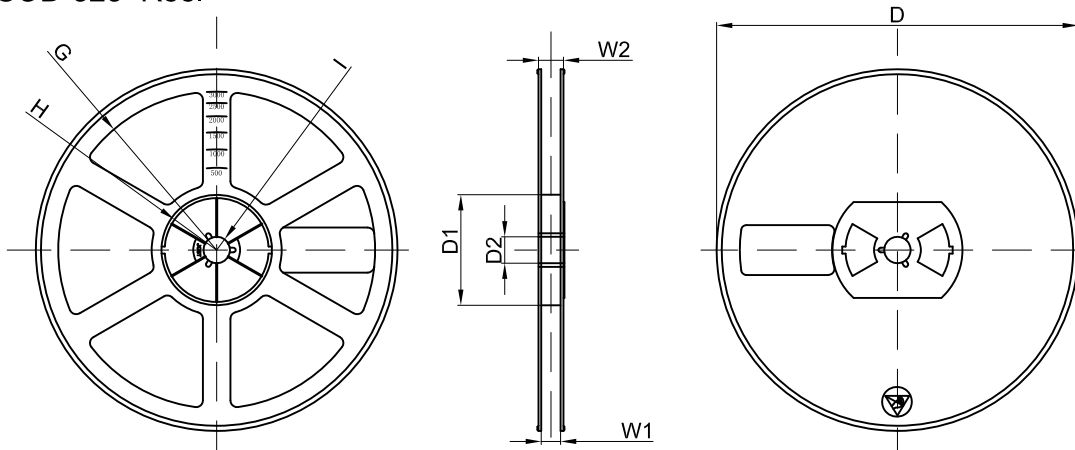
SOD-323 parts are shipped in tape. The carrier tape is made from a dissipative (carbon filled) polycarbonate resin. The cover tape is a multilayer film (Heat Activated Adhesive in nature) primarily composed of polyester film, adhesive layer, sealant, and anti-static sprayed agent. These reeled parts in standard option are shipped with 3,000 units per 7" or 17.8cm diameter reel. The reels are clear in color and is made of polystyrene plastic (anti-static coated).

| Dimensions are in millimeter | | | | | | | | | | |
|------------------------------|------|-----|------|-------|------|------|------|------|------|------|
| Pkg type | A | B | C | d | E | F | P0 | P | P1 | W |
| SOD-323 | 1.48 | 3.3 | 1.25 | Ø1.50 | 1.75 | 3.50 | 4.00 | 4.00 | 2.00 | 8.00 |

SOD-323 Tape Leader and Trailer



SOD-323 Reel



| Dimensions are in millimeter | | | | | | | | |
|------------------------------|---------|-------|-------|--------|--------|-------|------|-------|
| Reel Option | D | D1 | D2 | G | H | I | W1 | W2 |
| 7"Dia | Ø178.00 | 54.40 | 13.00 | R78.00 | R25.60 | R6.50 | 9.50 | 12.30 |

| REEL | Reel Size | Box | Box Size(mm) | Carton | Carton Size(mm) | G.W.(kg) |
|----------|-----------|------------|--------------|-------------|-----------------|----------|
| 3000 pcs | 7 inch | 45,000 pcs | 203×203×195 | 180,000 pcs | 438×438×220 | |