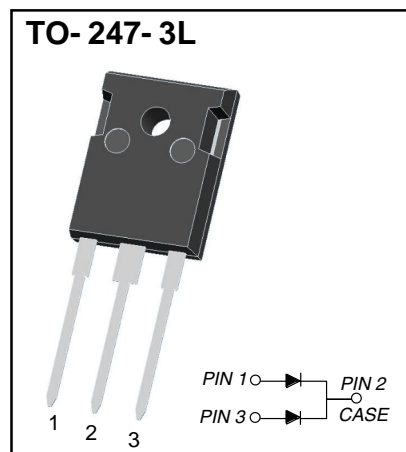


## TO-247- 3L Plastic-Encapsulate Diodes

SUPER FAST RECOVER RECTIFIER

### MAIN CHARACTERISTICS

$I_O$	70 A(2x35A)
$V_{RRM}$	200 V
$T_j$	150 °C
$V_{F(typ)}$	0.82 V (@ $T_j=125^{\circ}C$ )



### FEATURES

- Ultrafast 50ns Recovery Times
- High Voltage Capability to 200V
- Low Reverse Leakage Current
- Typical applications are in switching power supplies, converters freewheeling diodes, and reverse battery protection.

### Mechical Data

- Case: TO-247-3L
- Molding compound: UL flammability classification rating 94V-0
- Terminals: Solder plated, solderable per MIL- STD-202, Method 208

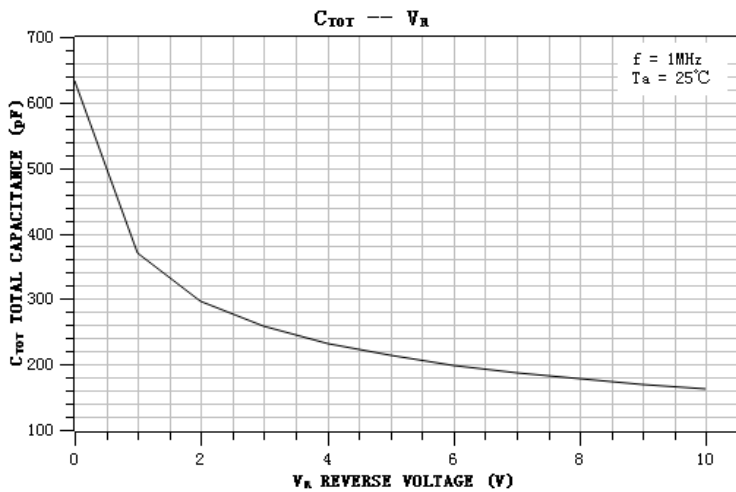
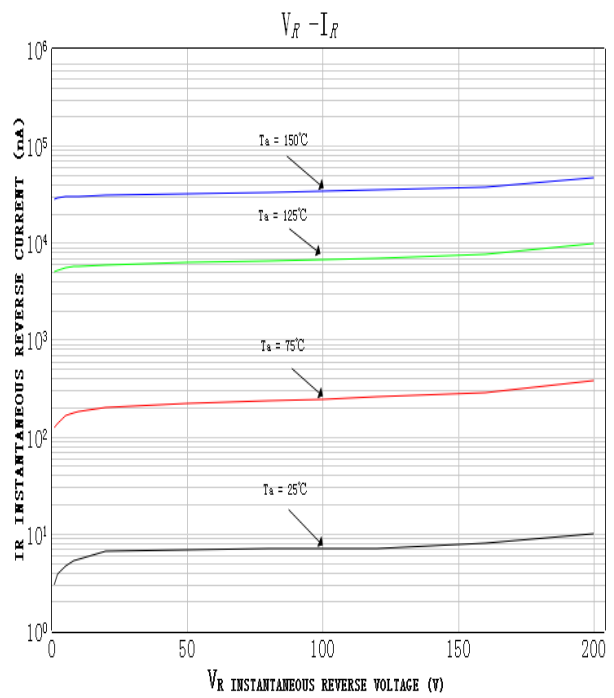
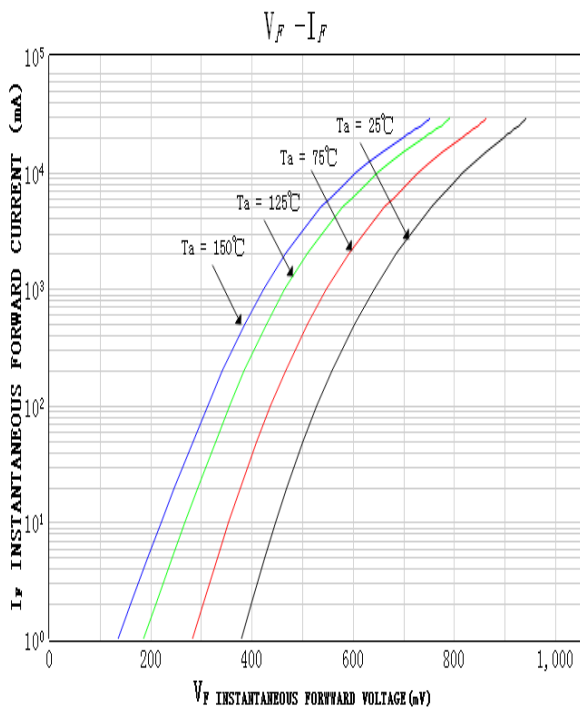
### MAXIMUM RATINGS ( $T_a=25^{\circ}C$ unless otherwise noted )

Symbol	Parameter	MURW7020CT	Unit
$V_{RRM}$	Peak repetitive reverse voltage	200	V
$V_{RWM}$	Working peak reverse voltage		
$V_R$	DC blocking voltage		
$V_{R(RMS)}$	RMS reverse voltage	140	V
$I_O$	Average rectified output current@ Per leg	35	A
	Average rectified output current@ Total device	70	A
$I_{FSM}$	Non-Repetitive peak forward surge current 8.3ms half sine wave	380	A
$R_{\theta JC}$	Thermal resistance from junction to case	1.5	°C/W
$T_j$	Operating Junction Temperature Range	-40 ~ +150	°C
$T_{stg}$	Storage Temperature Range	-40 ~ +150	°C

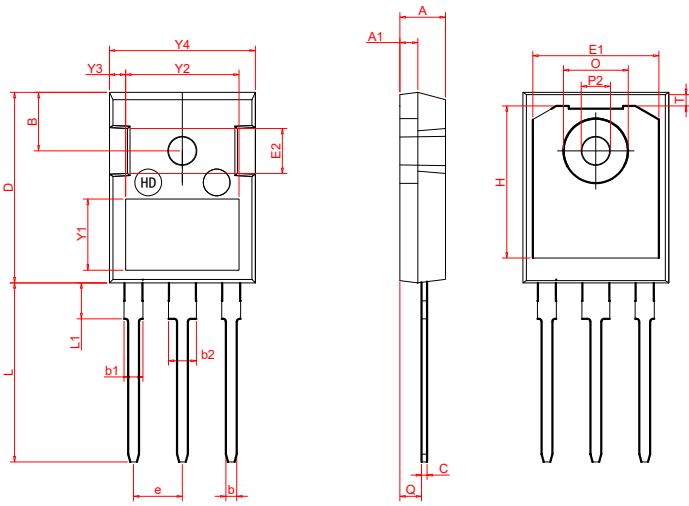
### ELECTRICAL CHARACTERISTICS ( $T_a=25^{\circ}C$ unless otherwise specified)

Parameter	Symbol	Test conditions	Min	Typ	Max	Unit
Reverse voltage	$V_{(BR)}$	$I_R=100\mu A$	200			V
Reverse current	$I_R$	$=200V$	$T_j = 25^{\circ}C$	0.1	100	$\mu A$
			$T_j = 125^{\circ}C$	12		$\mu A$
Forward voltage	$V_F$	$I_F=35A$	$T_j = 25^{\circ}C$	0.99	1.1	V
			$T_j = 125^{\circ}C$	0.82		V
Typical total capacitance	$C_{tot}$	$V_R=0V, f=1MHz$		634		pF
Reverse recovery time	$t_{rr}$	$I_F= 0.5A, I_R=1A, I_{rr}=0.25A$		31	50	ns

# Typical Characteristics



# TO-247-3L Package Outline Dimensions

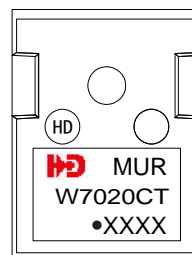


Symbol	Dimensions In Millimeters		Dimensions In Inches	
	Min	Max	Min	Max
A	4.700	5.300	0.185	0.209
A1	1.700	2.300	0.067	0.091
C	0.450	0.750	0.018	0.030
Q	2.200	2.600	0.087	0.102
O	7.100	7.400	0.280	0.291
P2	3.450	3.750	0.136	0.148
L	19.000	21.000	0.748	0.827
L1	4.2	4.5	0.165	0.177
b	1.000	1.400	0.039	0.055
b1	1.800	2.250	0.071	0.089
b2	3.000	3.300	0.118	0.130
e	5.250	5.550	0.207	0.219
D	20.950	21.350	0.825	0.841
Y1	7.600	8.100	0.299	0.319
Y2	11.000	13.000	0.433	0.512
Y3	1.750	2.250	0.069	0.089
Y4	16.000	16.400	0.630	0.646
E2	4.600	4.900	0.181	0.193
T	1.35REF		0.053REF	
H	16.25REF		0.639REF	
E1	14REF		0.551REF	
B	6.55REF		0.257REF	

## Ordering Information

Part Number	Package	Shipping Quantity
MURW7020CT	TO-247-3L	30pcs/Tube

## Marking Diagram



XXXX = Code